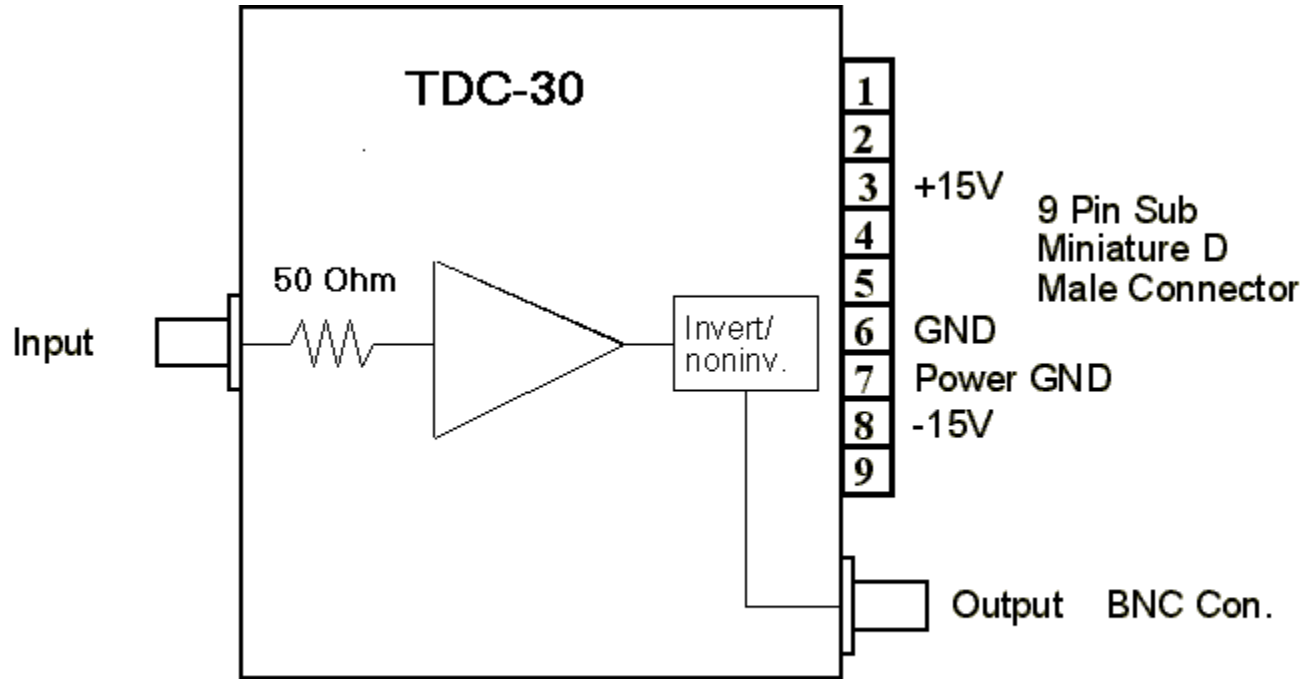




ADVANCED  
RESEARCH INSTRUMENTS  
CORPORATION



### TDC-30 DC to 20MHz Transimpedance Amplifier.

The TDC-30 is FET based. A low noise transimpedance amplifier featuring only 160 nAp-p full bandwidth input equivalent noise ( $3.7\text{pA}/\sqrt{\text{Hz}}$ ) and 114dB gain.  $[0.5\text{V}/1\mu\text{A}]$

The output amplitude is  $\pm 4\text{V}$  maximum when un-terminated and  $\pm 2\text{V}$  maximum when terminated with  $50\ \Omega$  impedance (recommended).

All ARI Amplifiers typically require a power supply and cabling. Recommended power supply is the ARI Model F-100PS Low Noise ( $\pm 15\text{V}$ ) Power Supply.

[The above specified gain is valid for a  $50\ \Omega$  load.]