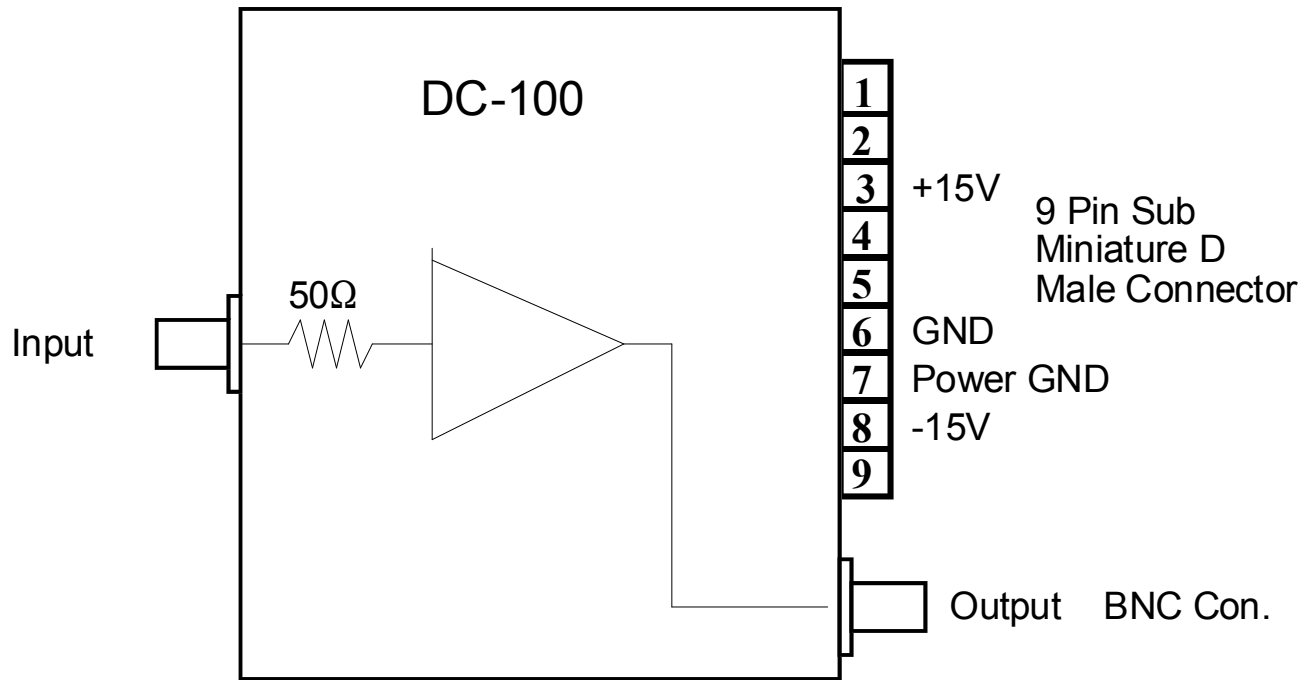




ADVANCED  
RESEARCH INSTRUMENTS  
CORPORATION



### **DC-100 Transimpedance/Voltage Amplifier. Block Diagram.**

The DC-100 can be used in a voltage amplifier mode producing 20dB gain. As a transimpedance amplifier it has only  $1\mu\text{A-p-p}$  full bandwidth input equivalent noise and 60dB gain. [1V/1mA]

The output amplitude is  $\pm 4\text{V}$  maximum when unterminated and  $\pm 2\text{V}$  maximum when terminated with  $50\Omega$  impedance (recommended).

[ The above specified gain is valid for a  $50\Omega$  load. ]